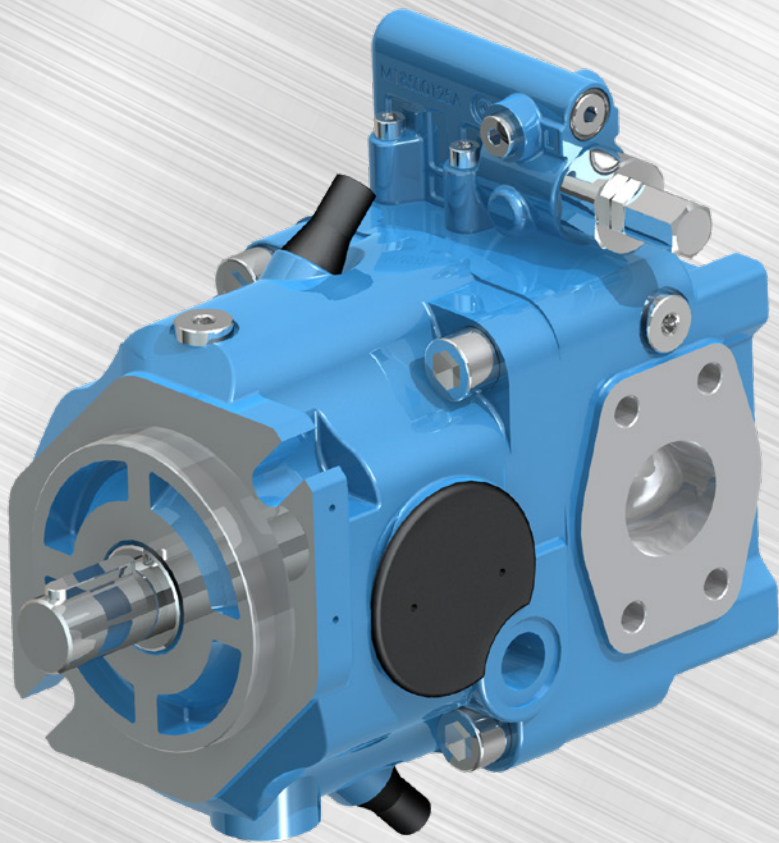




BREVINI[®]

Motion Systems

Brevini[®] S5AV Series Axial Piston Variable Pump Open Circuit

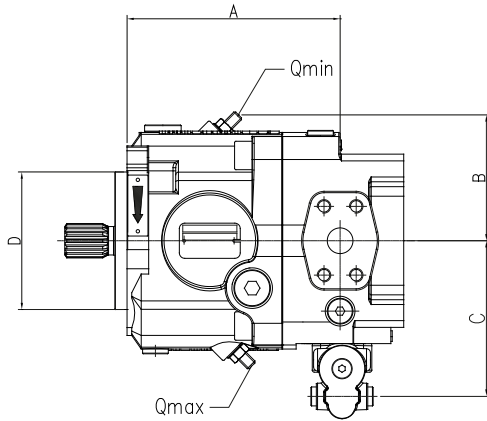


S5AV is a family of pumps for open circuit, axial piston design for mobile and industrial applications. Versatile design includes 100% through-drive capability for multiple pump options.

Brevini® S5AV

Axial Piston Variable Pump Open Circuit

A strong proven rotating group allows the pumps to handle high continuous and peak pressure. The pump features patented swash plate assembly resulting in minimal leaks and high volumetric efficiency. An adjustable maximum/minimum volume stops provides a means of tuning flow to your system. Controls options are designed to provide high accuracy and repeatability of operation.



	A	B	C	D
032/045	157.5 [6.20]	95.1 [3.74]	131.5 [5.18]	101.6 [4.00]
050/063	196 [7.716]	122.7 [4.83]	164.5 [6.48]	101.6 [4.00]
075/093	222.6 [8.764]	135.7 [5.34]	191 [7.52]	152.4 [6.00]

			Technical Data					
Size			32	45	50	63	75	93
Displacement	$V_{g \max}$	cm ³ /giro [in ³ /rev]	32.00 [1.95]	43.3 [2.64]	49.65 [3.05]	63.98 [3.90]	75.00 [4.57]	93.76 [5.72]
	$V_{g \min}$	cm ³ /giro [in ³ /rev]	0 [0]	0 [0]	0 [0]	0 [0]	0 [0]	0 [0]
Pressure	cont.	P_{nom}	280 [4000]	300 [4350]	320 [4600]	320 [4600]	350 [5000]	320 [4600]
	picco / peak	P_{max}	350 [5000]	350 [5000]	380 [5500]	380 [5500]	420 [6000]	380 [5500]
Max speed	$n_{max \text{ nom}}$	rpm	3150	2700	3000	2500	2250	2100
Min speed	n_{min}	rpm	500	500	500	500	500	500
Max flow at n_{max}	$q_{max \text{ nom}}$	l/min [U.S. gpm]	100 [26.4]	117 [30.88]	149 [39.3]	160 [42.24]	169 [44.62]	197 [52]
Maximum power	$P_{max \text{ nom}}$	kW [hp]	46 [62]	57 [76]	79 [105]	85 [114]	113 [151]	121 [162]
Torque Constant	T_k	Nm/bar [lbf-ft/psi]	0.51 [0.026]	0.69 [0.035]	0.79 [0.040]	1.01 [0.052]	1.20 [0.061]	1.49 [0.076]
Max torque at $V_{g \max}$	Cont. (P_{nom})	T_{nom}	142 [105]	207 [152.5]	253 [186]	326 [240]	418 [308]	477 [351]
	Peak (P_{max})	T_{max}	177 [130]	241 [177]	300 [221]	387 [285]	500 [368]	567 [418]
Moment of inertia	J	kg·m ² [lbf-ft ²]	0.0034 [0.081]	0.0034 [0.081]	0.0065 [0.081]	0.0065 [0.081]	0.0098 [0.232]	0.0098 [0.232]
Weight	m	kg [lb]	19 [42]	20 [44]	30 [66]	31 [68]	42 [92]	44 [96]

Dana.com/oh/contact

Application Policy

Capacity ratings, features, and specifications vary depending upon the model and type of service. Application approvals must be obtained from Dana; contact your representative for application approval. We reserve the right to change or modify our product specifications, configurations, or dimensions at any time without notice.



BREVINI®

Motion Systems