



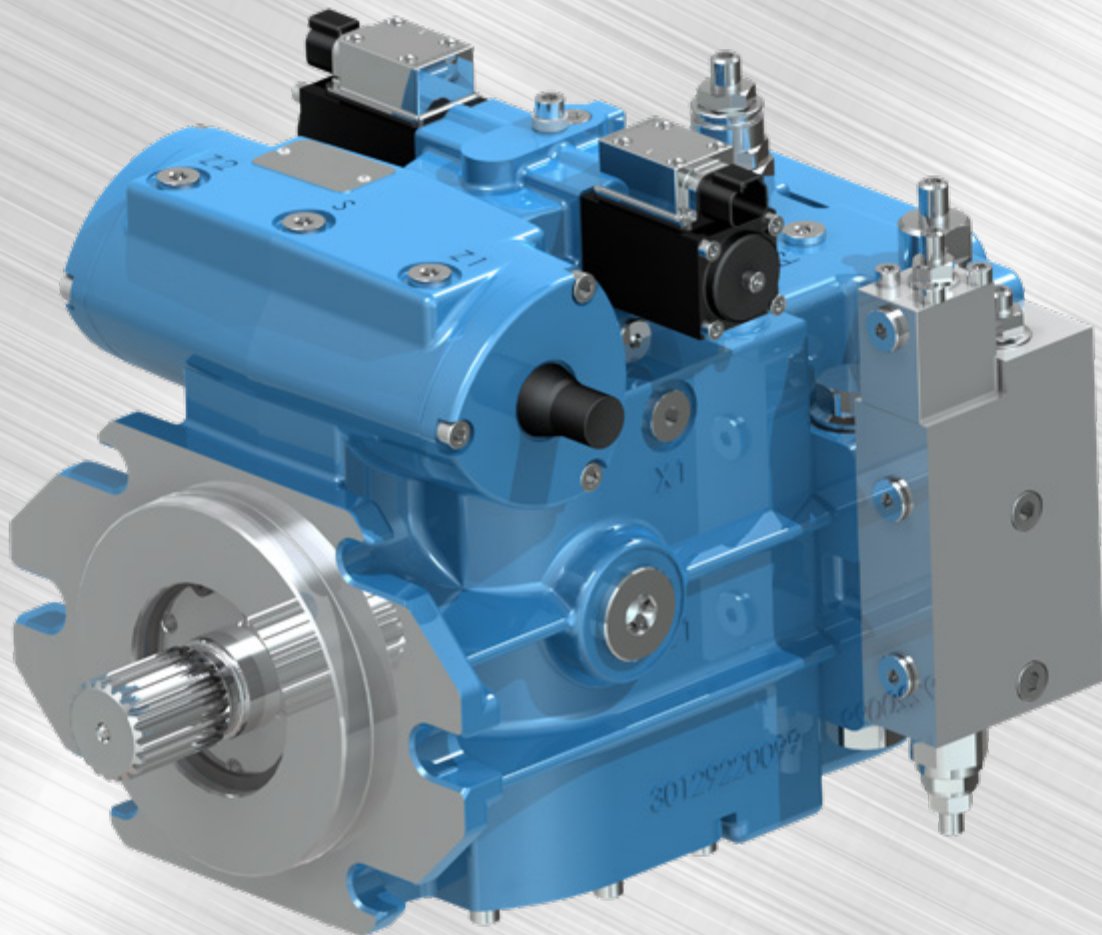
**BREVINI®**

Motion Systems

# Brevini® HD1 Series

## Variable displacement axial piston pump

For closed loop circuits

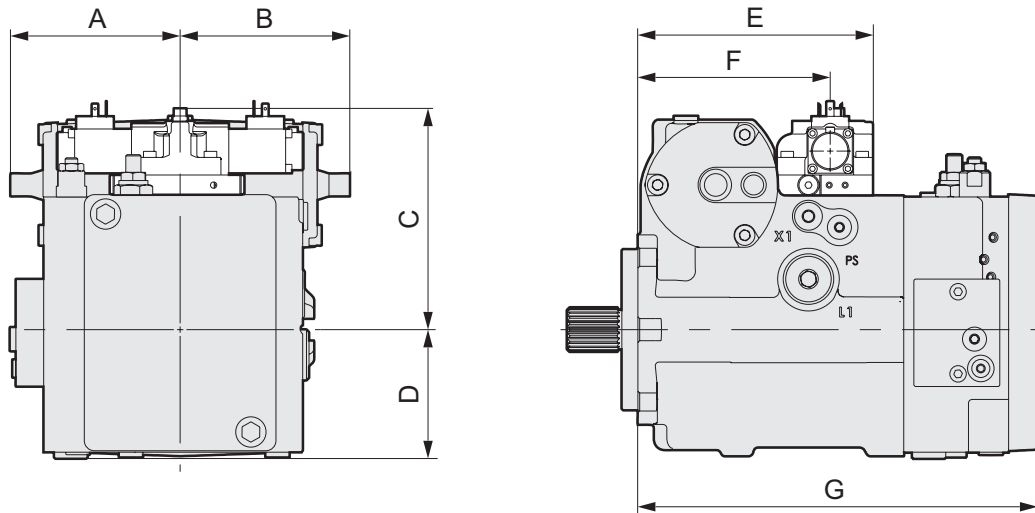


*The HD1 Series variable piston pumps for closed loop circuits are axial piston pumps with swash plate design and through drive shaft on option. These pumps have been specifically designed for use in closed circuit hydrostatic transmissions.*

# HD1 series

Variable displacement axial piston pump for closed loop circuits

- Swashplate design
- Wide range of swashplate controls available
- Thru drive options
- Pressure up to 450 bar
- Built-in charge pump, gerotor type, different displacements available to suite different needs
- Two built-in pressure relief valves to protect the system from pressure overloads



Technical data				HD1 055	HD1 100
Size					
Displacement		$V_{g_{max}}$	cm <sup>3</sup> /rev	55	100
		$V_{g_{min}}$	cm <sup>3</sup> /rev	0	0
Pressure	Cont.	$p_{nom}$	bar	420	420
	Peak	$p_{max}$	bar	450	450
Max speed	Cont.	$n_{max}$	rpm	3800	3300
	Int.	$n_{max}$	rpm	4000	3650
Min speed		$n_{min}$	rpm	500	500
Max flow at $n_{max}$		$q_{max}$	l/min	209	330
Max power	Cont.		kW	146	231
	Int.		kW	165	248
Max torque at $V_{g_{max}}$	Cont.	$T_{nom}$	Nm	368	669
	Peak	$T_{max}$	Nm	394	716
Moment of inertia		J	kg·m <sup>2</sup>	0.0064	0.0162
Weight		m	kg	46	73

	HD1 055 mm	HD1 100 mm
A	119.2	134.3
B	105.9	134.3
C	167.2	183.2
D	88.8	102.1
E	174	186
F	140.2	152.2
G	284.5	316.4

[Dana.com/oh/contact](http://Dana.com/oh/contact)

#### Application Policy

Capacity ratings, features, and specifications vary depending upon the model and type of service. Application approvals must be obtained from Dana; contact your representative for application approval. We reserve the right to change or modify our product specifications, configurations, or dimensions at any time without notice.



**BREVINI**<sup>®</sup>

Motion Systems